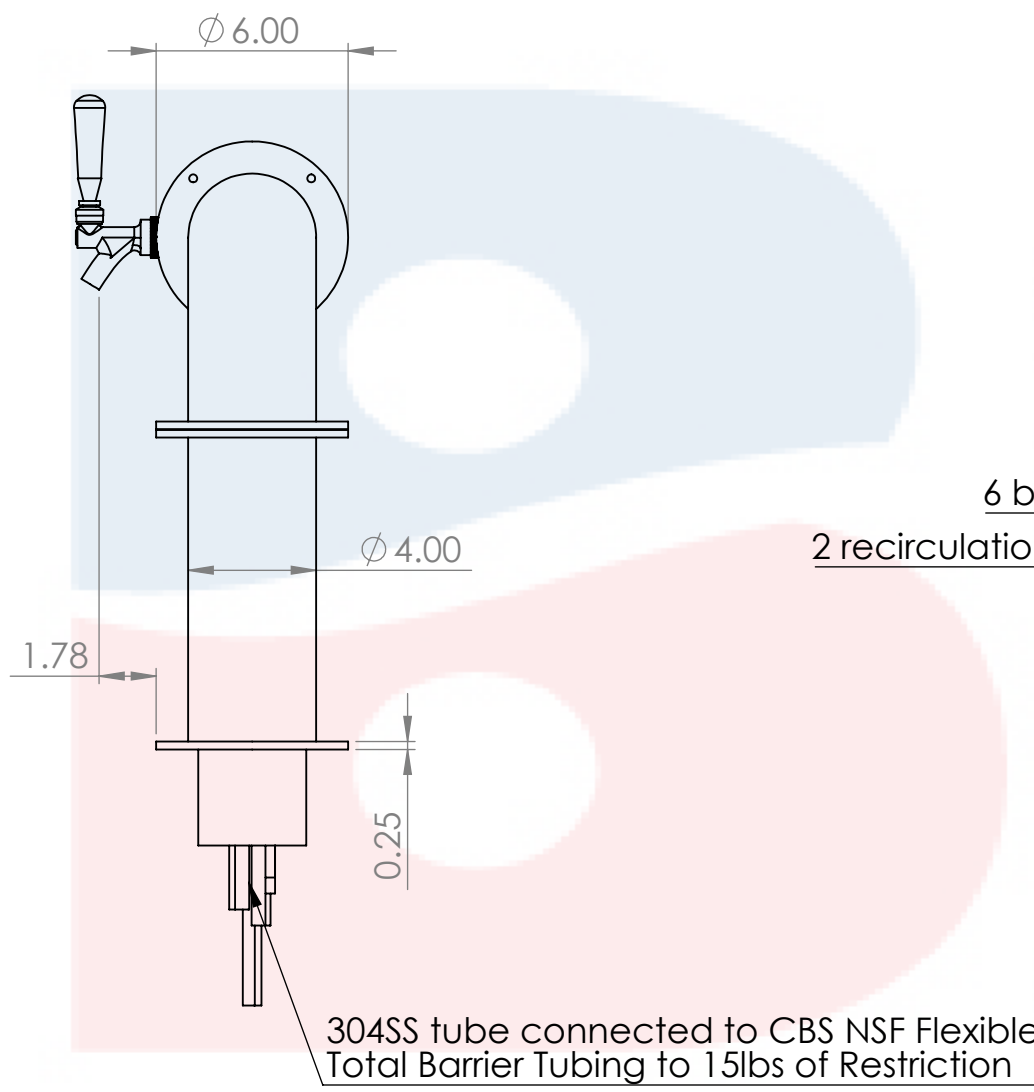
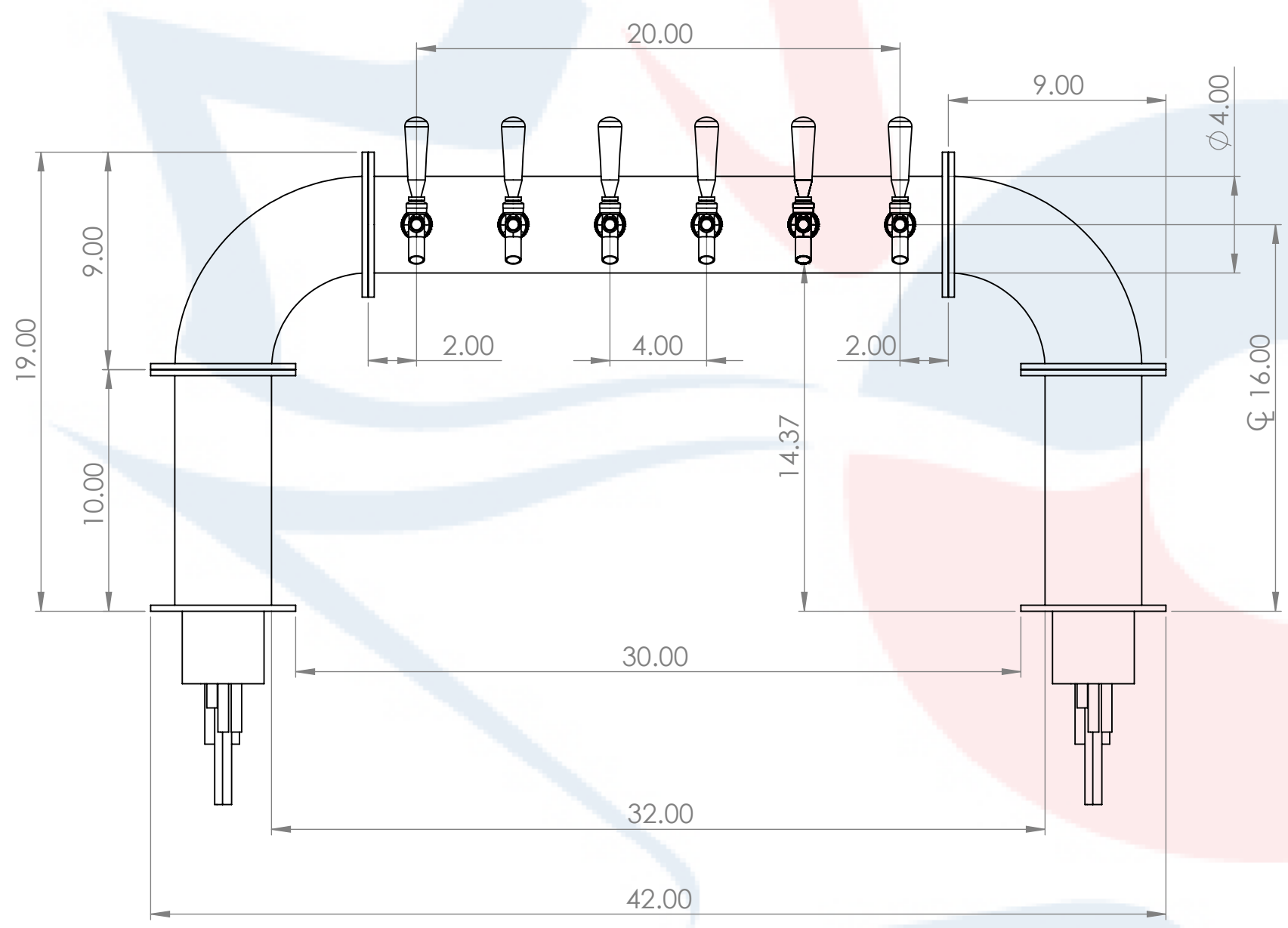
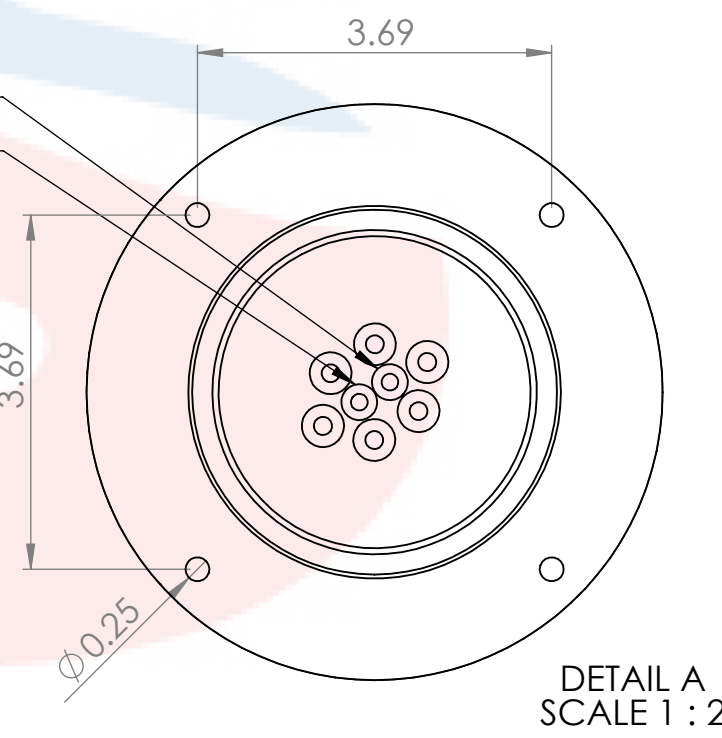


Isometric View  
(For reference purpose only)



6 beer lines: 3/16" ID x 7/16" OD  
2 recirculation lines: 3/8" OD ACR copper



DETAIL A  
SCALE 1 : 2

Suggested Drip Tray:  
2 x BB701330 - 30" x 7" BSS Drip Tray  
2 x BB702430 - 30" x 7" BSS Spray Drip Tray



Name		Date		Title:	
Drawn by:	Canadian Beverage Supply Inc.	11/23/2022		4" 6 Tap Lions Gate Tower	
Approved by:	VP Sales			Part Number: BB102629-06SSCK	
Material:	304 SS	Finish:	Brushed SS	Revision:	
Unless otherwise mentioned, dimensions are inches				SCALE:	1:6
				SHEET 1 OF 1	